



ELP18X1CS

Constant Current Power Supply

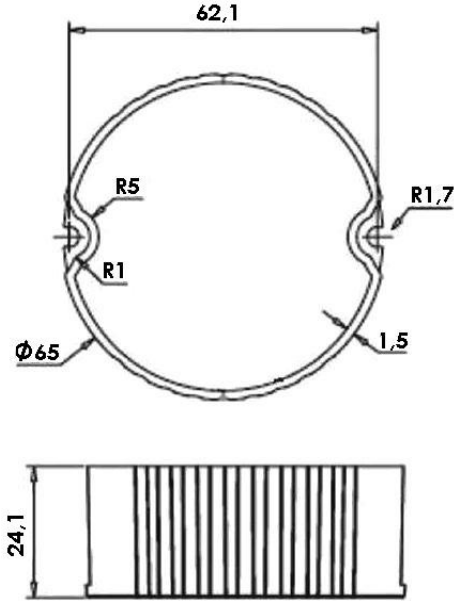
350mA / 30~60VDC / 9~18x1W LED / IP65



I. Technical data

GENERAL	
Input voltage	220~240VAC
Input frequency	50/60Hz
Input current	0,13A Max.
Output voltage	30~60VDC
Output current	350mA
Load range	9~18x1W LED
Output connection	Cable connection; length max. 2 meter
Power factor	>0,9
Efficiency	>83%
No load losses	<0,3W
Environment temperature	-20°C~+45°C
Surface temperature	75°C max.
Protection class	IP65
Lifetime	≥ 50000 hours (@ 25°C full load)
PROTECTION	
Isolation class	Class II, SELV
Short circuit protection	Resettable after fault removed
Over load protection	Resettable after fault removed
Over temperature protection	Resettable after temperature descending acc. IEC 61347-1 appendix C
Electric strength	IN-OUT / IN-FG: 3750VAC/5mA/1 min; OUT-FG: 500VAC/5mA/1 min;
Insulation resistor	≥ 4MΩ
STANDARD	
LVD	EN61347-1, EN61347-2-13
EMC	EN55015, EN61547, EN61000-3-2, EN61000-3-3
Approvals	CE, Intertek Semko
RoHS compatible	Yes

II. Dimension



Unit: mm